



CHUCK

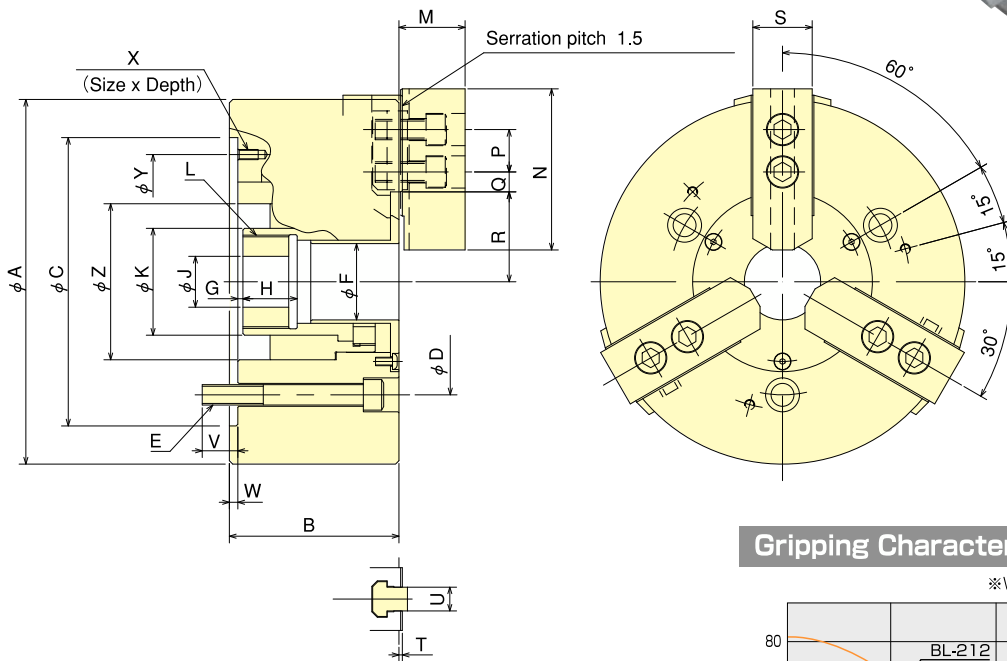
Lever Style Power Chuck BL-200 series

Extra Long Jaw Stroke Flange work securely gripped

*CE correspondence

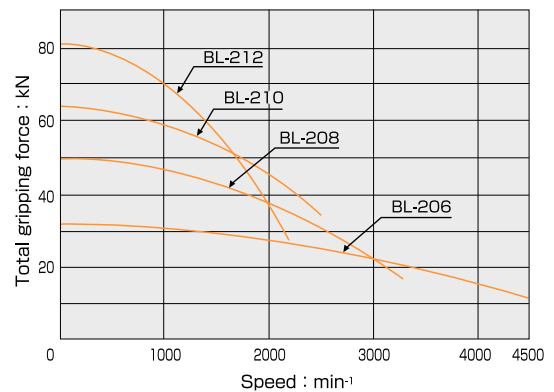


Dimensional Drawings



Gripping Characteristic Graphs

*With standard blank soft top jaw.



Dimensions *Blank draw nut equipped.

Dimensions Model	A	B	C (H6)	D	E	F	G max.	G min.	H	J	K	L max.	M	N	P	Q max.	Q min.	R max.	R min.	S	T	U	V	W	X (3-)	Y	Z
BL-206	165	87	140	104.8	3-M10	28	10	-5	24	20	45	M38x1.5	29	66	20	16.75	9.25	39.25	29.25	26	2	12	16	5	M6x12	116	70
BL-208	215	100	170	133.4	3-M12	45	3	-16	32	30	63	M55x2.0	39	95	25	20.75	11.75	53	40.5	35	2	14	21	5	M6x12	150	92
BL-210	254	117	220	171.4	3-M16	53	-6	-28	40	45	73	M65x2.0	43	110	30	26.25	11.25	62.5	47.5	40	2	16	27	5	M8x16	190	102
BL-212	304	138	220	171.4	3-M16	63	8.2	-168	38	50	83	M75x2.0	52	111	30	38.25	12.75	74.5	57	50	3	21	23	5	M8x16	190	120

Specifications

Specifications Model	Thru-Hole mm	Gripping range mm Max.	Gripping range mm Min.	Jaw Stroke (diameter) mm	Plunger Stroke mm	Max. Draw Bar Pull Force kN (kgf)	Max. Gripping Force kN (kgf)	Max. Speed min⁻¹	Net Weight kg	Moment of inertia kg·m²	Matching Cylinder	Max. pressure MPa (kgf/cm²)	Matching Hard top jaw	Matching Soft top jaw
BL-206	28	165	28	20	15	27.9 (2845)	31.2 (3182)	4500	14.0	0.043	S1246	3.40 (34.7)	HB06B1	SB06L1A
BL-208	45	215	32	25	19	41.1 (4191)	49.0 (4997)	3300	25.0	0.198	S1552	2.99 (30.5)	HB08A1	SB08B1
BL-210	53	254	42	30	22	53.8 (5486)	63.0 (6424)	3000	45.0	0.306	S1875	3.20 (32.6)	HB10A1	SB10B1
BL-212	63	304	43	35	25	69.3 (7067)	80.4 (8199)	2200	78.0	0.918	S2091	3.22 (32.8)	HB12N1	SB12N1



CHUCK

Lever Style Power Chuck (Direct Mount) BL200A series

Chuck Adaptor is equipped to suit Spindle Nose Flange work securely gripped

* CE correspondence



Standard Chuck

Dimensional Drawings

Fig.2

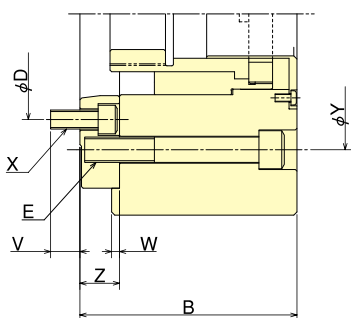
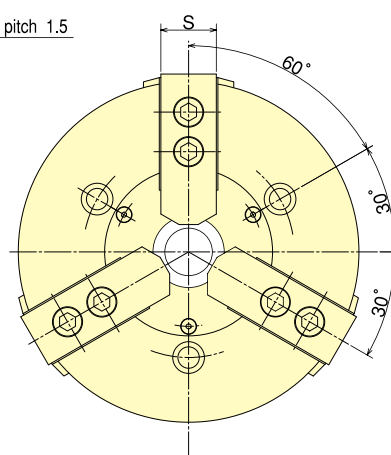
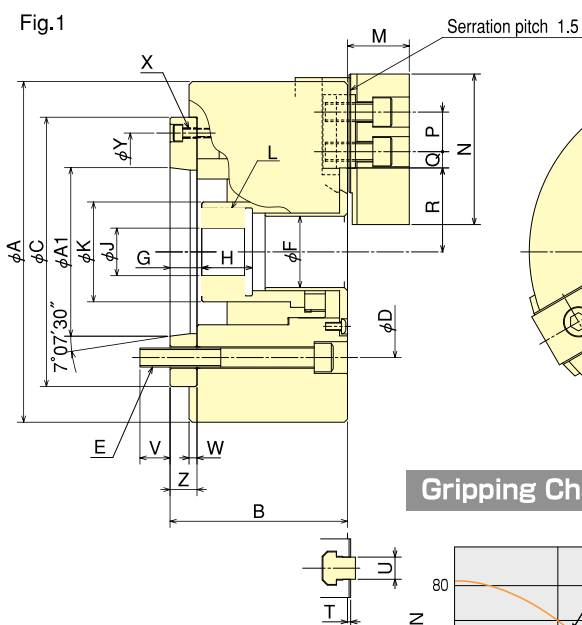
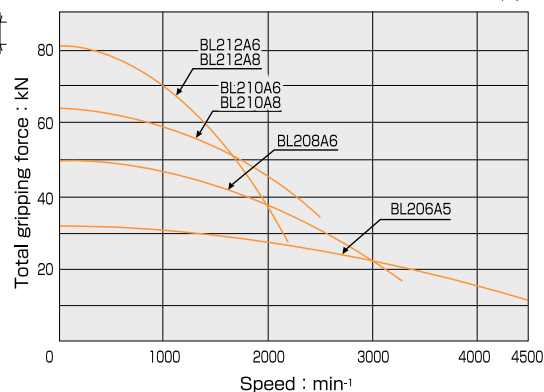


Fig.1



Gripping Characteristic Graphs

*With standard blank soft top jaw.



Dimensions

*BL210A6 and BL212A6 are based on Fig. 2. *Blank draw nut equipped.

Dimensions Model	A	B	C	D	E	F	G max.	G min.	H	J	K	L max.	M	N	P	Q max.	Q min.	R max.	R min.	S	T	U	V	W	X	Y	Z	A1
BL206A5	165	97	140	104.8	3-M10	28	25	10	24	20	45	M38x1.5	29	66	20	16.75	9.25	39.25	29.25	26	2	12	16	5	3-M6	116	15	82.563
BL208A6	215	112	170	133.4	3-M12	45	20	1	32	30	63	M55x2.0	39	95	25	20.75	11.75	53	40.5	35	2	14	19	5	3-M6	150	17	106.375
BL210A6	254	137	220	133.4	3-M16	53	19	-3	40	45	73	M65x2.0	43	110	30	26.25	11.25	62.5	47.5	40	2	16	18.5	5	6-M12	171.4	25	106.375
BL210A8	254	130	220	171.4	3-M16	53	12	-10	40	45	73	M65x2.0	43	110	30	26.25	11.25	62.5	47.5	40	2	16	24	5	3-M8	190	18	139.719
BL212A6	304	158	220	133.4	3-M16	63	33.2	8.2	38	50	83	M75x2.0	52	111	30	38.25	12.75	74.5	57	50	3	21	18.5	5	6-M12	171.4	25	106.375
BL212A8	304	151	220	171.4	3-M16	63	26.2	1.2	38	50	83	M75x2.0	52	111	30	38.25	12.75	74.5	57	50	3	21	25	5	3-M8	190	18	139.719

Specifications

Specifications Model	Thru-Hole mm	Gripping range mm Max.	Gripping range mm Min.	Jaw Stroke (diameter) mm	Plunger Stroke mm	Max. Draw Bar Pull Force kN (kgf)	Max. Gripping Force kN (kgf)	Max. Speed min⁻¹	Net Weight kg	Moment of inertia kg·m²	Matching Cylinder	Max. pressure MPa (kgf/cm²)	Matching Hard top jaw	Matching Soft top jaw
BL206A5	28	165	28	20	15	27.9 (2845)	31.2 (3182)	4500	15.2	0.048	S1246	3.40 (34.7)	HB06B1	SB06L1A
BL208A6	45	215	32	25	19	41.1 (4191)	49.0 (4997)	3300	26.0	0.208	S1552	2.99 (30.5)	HB08A1	SB08B1
BL210A6	53	254	42	30	22	53.8 (5486)	63.0 (6424)	3000	50.5	0.351	S1875	3.20 (32.6)	HB10A1	SB10B1
BL210A8	53	254	42	30	22	53.8 (5486)	63.0 (6424)	3000	48.0	0.325	S1875	3.22 (32.6)	HB10A1	SB10B1
BL212A6	63	304	43	35	25	69.3 (7067)	80.4 (8199)	2200	78.0	0.918	S2091	3.22 (32.8)	HB12N1	SB12N1
BL212A8	63	304	43	35	25	69.3 (7067)	80.4 (8199)	2200	81.2	0.943	S2091	3.22 (32.8)	HB12N1	SB12N1