

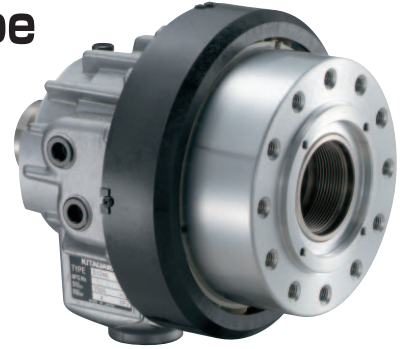


**ROTARY
CYLINDER**

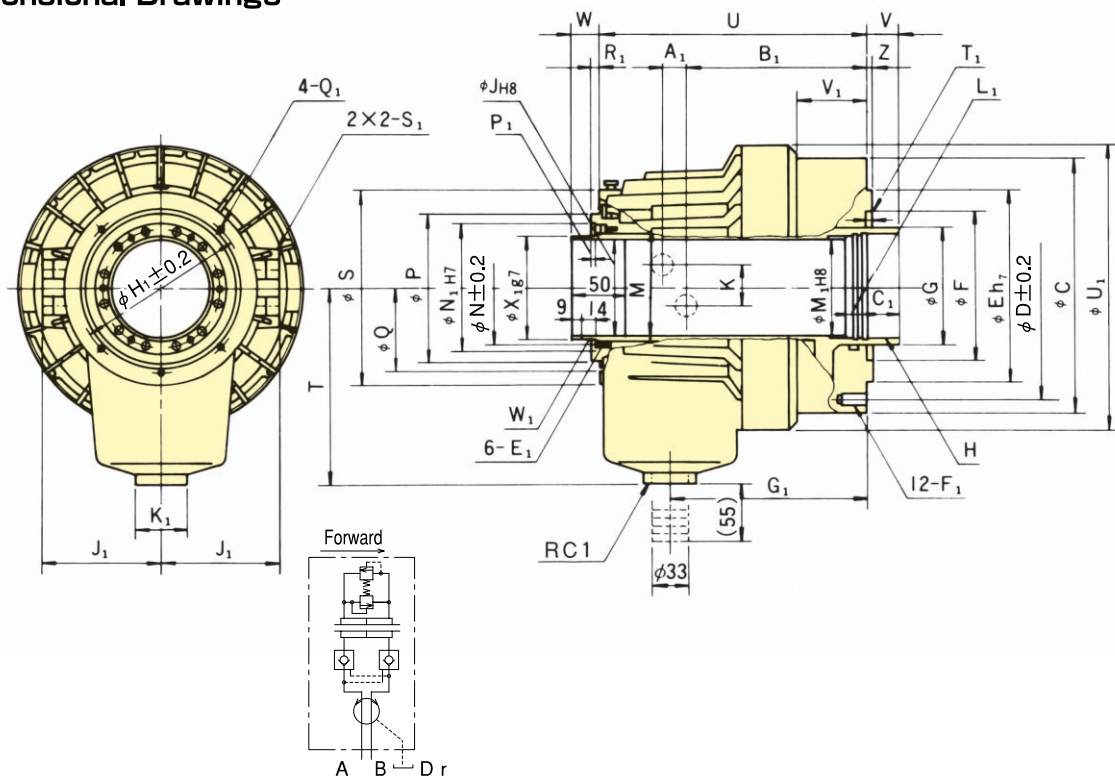
Large Thru-Hole High Speed Hydraulic Cylinder with Open Center S series

KITAGAWA standard thru-hole type

- Compact and light weight
- Built-in check valve and relief valve



Dimensional Drawings



Dimensions

Model	C	D	E	F	G	H	J Thru-hole	K	M	N	P	Q	S	T	U	V max.	V min.	W max.	W min.	Z	A ₁
S1246	155	130	100	80	65	M 55×2.0	46	36	52.9	64	85	51.5	118	115	179	15	0	40	25	5	11.5
S1552	190	170	130	85	70	M 60×2.0	52	36	59.6	73	96	57.5	137	130	191	22	0	47	25	5	12
S1875	215	190	160	120	95	M 85×2.0	75	36	84.6	98	121	70.5	166	160	225	25	0	50	25	5	17.5
S2091	240	215	180	140	110	M100×2.0	91	34	93.6	108	138	79	182	185	248	30	0	55	25	5	21

Model	B ₁	C ₁	E ₁ depth	F ₁ depth	G ₁	H ₁	J ₁	K ₁	L ₁	M ₁	N ₁	P ₁	Q ₁ depth	R ₁	S ₁	T ₁	U ₁	V ₁	W ₁	X ₁
S1246	126.5	30	M6×9	M10×20	135	98	76	47	15	50	76	4	M5×10	6	RC1/2	6	200	46	M52×1.5	50
S1552	136	30	M6×9	M10×20	145	110	86	47	15	55	85	4	M6×12	7	RC1/2	6	220	51	M58×1.5	56
S1875	153.5	35	M6×9	M10×20	166.5	155	101	47	15	80	108	4	M6×12	7	RC1/2	6	242	58	M84×2.0	81
S2091	168	35	M6×14	M12×24	183	165	110	47	15	95	120	4	M6×12	7	RC1/2	6	267	66	M99×2.0	96

Specifications

*Total leakage : Pressure 3.0MPa (30.6kgf/cm²) and oil temperature 50°C. *Draw bar pull force : Pressure 4.0MPa (40.8kgf/cm²)

Model	Piston Dia. mm	Piston stroke mm	Piston Area		Draw bar pull		Max. Operation Pressure MPa (kgf/cm ²)	Max. Speed min ⁻¹ (r.p.m)	Moment of inertia kg·m ²	Net Weight kg	Total leakage ℓ /min
			Push Side cm ²	Pull Side cm ²	Push Side kN(kgf)	Pull Side kN(kgf)					
S1246	125	15	100	89	38 (3875)	33 (3365)	4 (40.8)	7000	0.019	12.0	3.0
S1552	155	22	161	150	60 (6118)	56 (5710)	4 (40.8)	6200	0.053	16.8	3.9
S1875	180	25	198	183	74 (7546)	69 (7036)	4 (40.8)	4700	0.095	26.0	4.2
S2091	205	30	252	234	94 (9585)	88 (8973)	4 (40.8)	3800	0.153	33.0	4.5