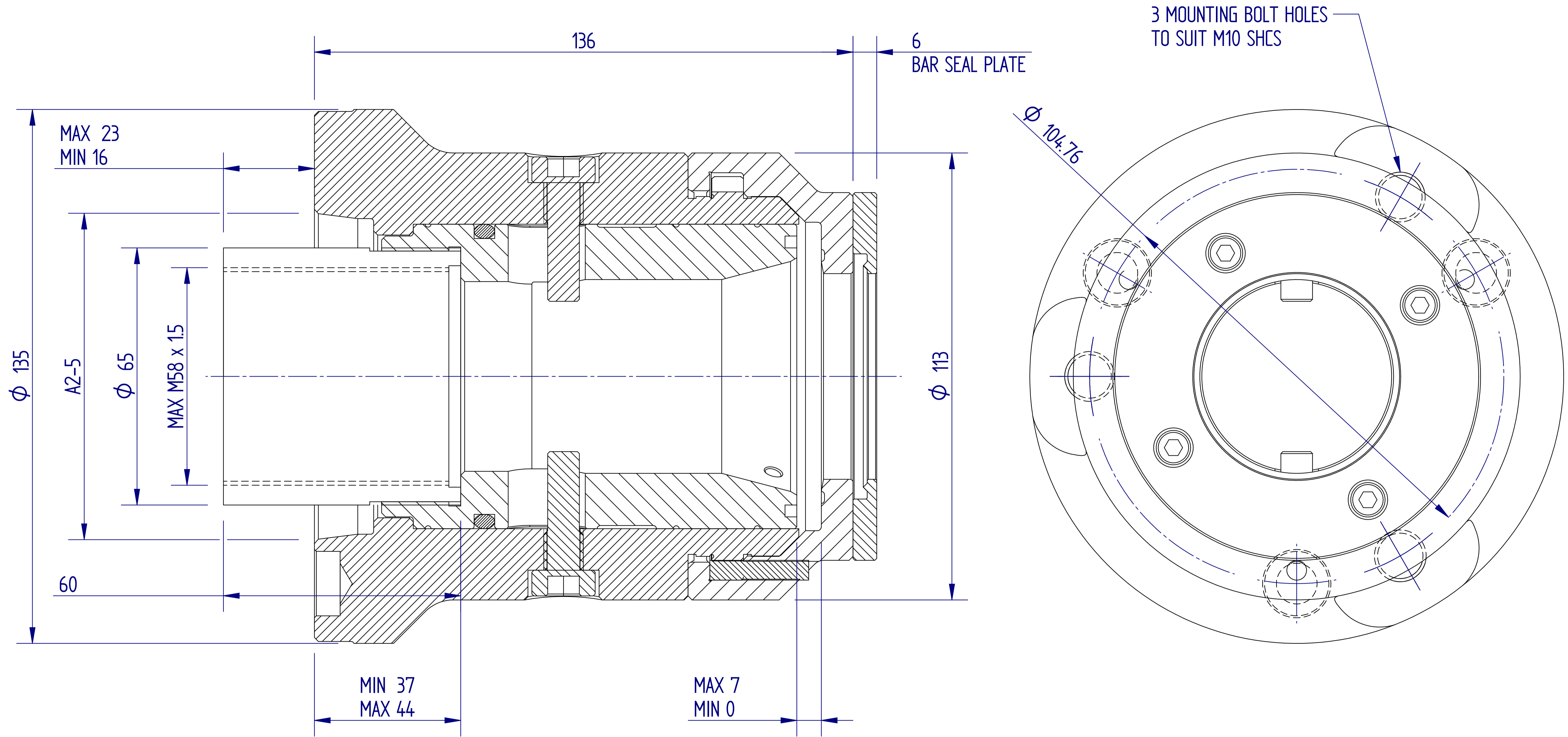


ISSUE	DATE



TO SUIT D-673 VARIBORE COLLETS AND D173E SPRING COLLETS.

bitagawa
EUROPE
UNIT 1, THE HEADLANDS
DOWNTON
SALISBURY
WILTSHIRE SP5 3JJ
TELEPHONE: 01725 514000
TELEFAX: 01725 514001

MACHINING TOLERANCES							DRAWN	M Ereira	TITLE
RANGE AS SPECIFIED	NOMINAL DIMENSION						DATE	01/08/2013	QD-CRL42/A5
	> 0.5 ... 3	> 3 ... 6	> 6 ... 30	> 30 ... 120	> 120 ... 400	> 400 ... 1000	> 1000 ... 2000	SCALE	
ALL DIMENSION IN mm									
FINE	±0.05	±0.05	±0.1	±0.15	±0.2	±0.3	±0.5	CHECKED	
MEDIUM	±0.1	±0.1	±0.2	±0.3	±0.5	±0.8	±1.2	ISSUE NO.	
COARSE	±0.2	±0.3	±0.5	±0.8	±1.2	±2	±3	DATE	
VERY COARSE	—	±0.5	±1	±1.5	±2	±3	±4	DRAWING NUMBER	