

NC ROTARY TABLE

Low centre line tilting NC Rotary Table TT140

Tilting type to suit 5 axis machining with decreased input on the Z axis

- Wide machining area and tilting axis index 220° ($\pm 110^\circ$)
- Compact and high speed
Ideal for use on small machining centres
- Highest clamping torque in its class
- Built in rotary joint (option) allows simple and secure jig piping
- Table surface on tilt axis centre line
- Pneumatic clamping mechanism

*CE correspondence

※In specification with the foreign trade control ordinance, permission of the ministry of economy, trade and industry is required when exporting twin axis products overseas.

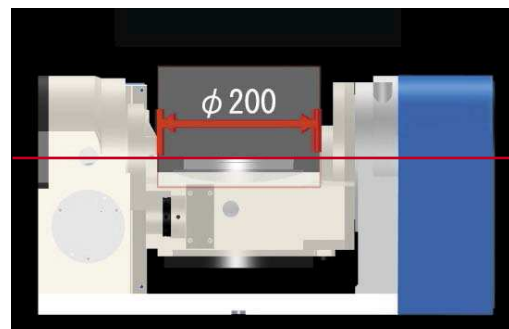
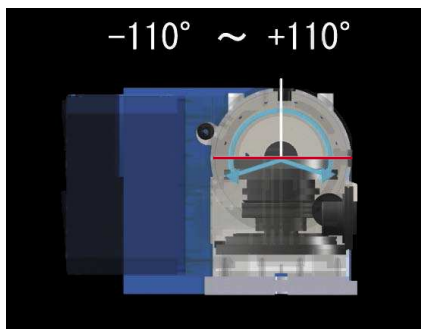


TT140

Wide Machining Area



● Tilting axis index 220°



● Max. dia. $\phi 200$ mm of loadable work

Complete built-in rotary joint (option)

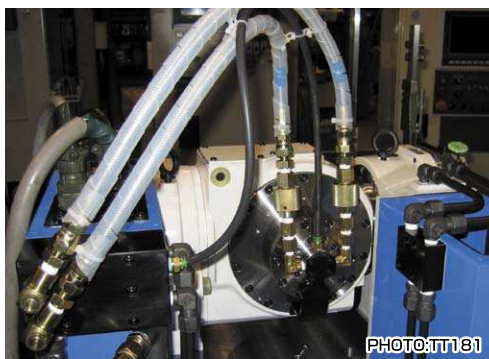
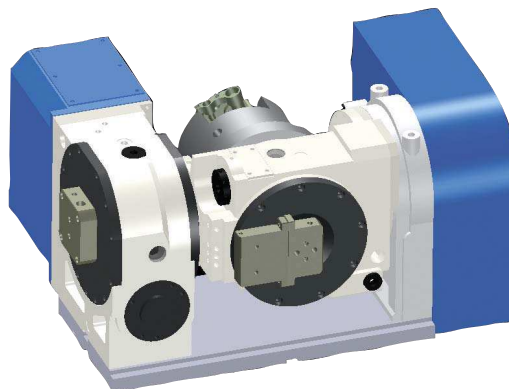


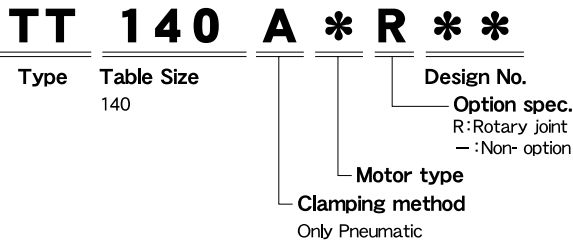
PHOTO:TT181

Simplified Pipework

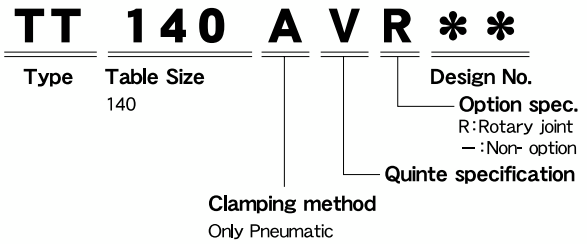


● Installation of optional rotary joint

4th axis specifications



M signal specification



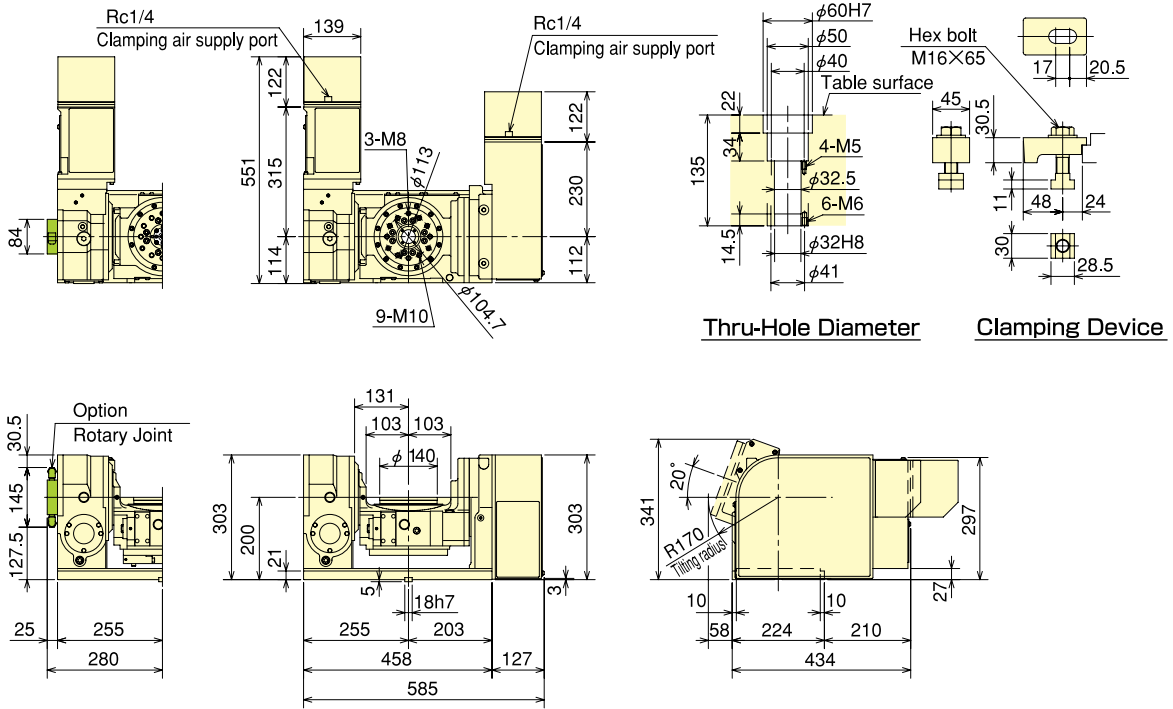
Specifications

Model		TT140	
Tilting angle		- 110° ~ + 110°	
Table dia (mm)		φ 140	
Register diameter on Face Plate (mm)		φ 60H7	
Spindle through hole diameter (mm)		φ 32	
Centre Height (mm)		200	
Clamping method		Pneumatic	
Clamping torque (N·m) (In pneumatic 0.5MPa)	Rotating axis	280	
	Tilting axis	500	
Motor axis reduced inertia (kg·m ²)	Rotating axis	0.000269	
	Tilting axis	0.000288	
Servomotor (for FANUC specification)		α iF 2/5000	
Gear ratio	Rotating axis	1/72	
	Tilting axis	1/180	
Max. spindle speed	for FANUC specification	Rotating axis (for min ¹ /Motor3000min ⁻¹)	41.6
		Tilting axis (for min ¹ /Motor3000min ⁻¹)	16.6
	M signal specification	Rotating axis (for min ¹ /Motor3000min ⁻¹)	41.6
		Tilting axis (for min ¹ /Motor3000min ⁻¹)	16.6
Allowable work inertia (kg·m ²)		0.12	
Indexing accuracy (sec)	Rotating axis	30	
	Tilting axis	60	
Repeatability (sec)		4	
Mass of product (kg)		158	
Built-in rotary joint (as an option · P97reference)		RJ32TT140 (Hydraulic/Pneumatic 4-port)	
Allowable Load	at horizontal (kg)	50	
	at tilted (kg)	30	
Allowable load (When clamped to table)	F (kN)	4	
	F×L (N·m)	500	
	F×L (N·m)	280	
Allowable cutting torque	T (N·m)	190	
Moment of tilting weight capacity	W×L (kgf·m)	11	

Note) 1. The switch for pressure checking is incorporated to all series except TC/DM of NC tables. 2. The solenoid valve for the table clamp is incorporated. 3. Neither cable nor hose is fitted between NC rotary table and machine tool... 4. Each product mass is determined by a Kitagawa M signal spec.

■Dimensions [4th axis specifications]

TT140

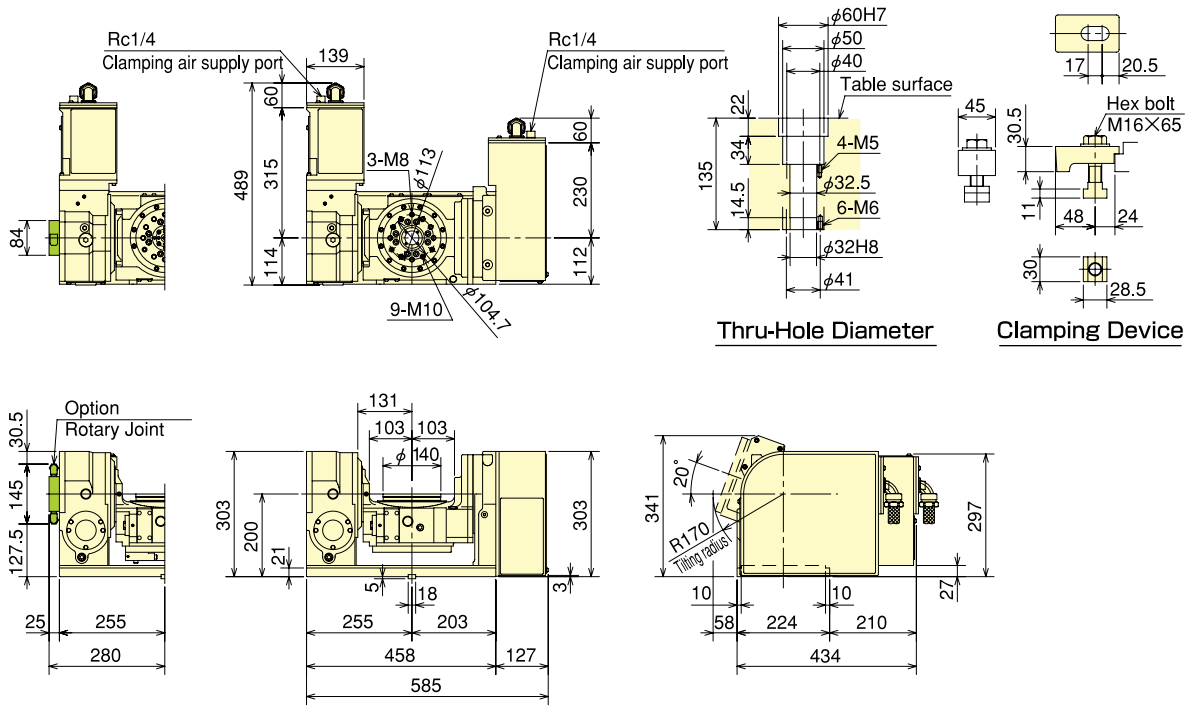


※The above dimensions are the same as FANUC spec.
Those dimensions may vary from motor to motor that is mounted.

■Dimensions [Kitagawa own controller]

*The dimensions may vary from motor to motor that is mounted.

TT140



※The above dimensions are the same as FANUC spec.
Those dimensions may vary from motor to motor that is mounted.

DATA Tilting NC table • Work loadable area

TT140

