

Support for index machining of large work and trunnion assemblies

- Clamping mechanism spec
(Heavy duty tailstock with Disk clamping)
- Non clamping mechanism spec
- Suitable for supporting many types of jig



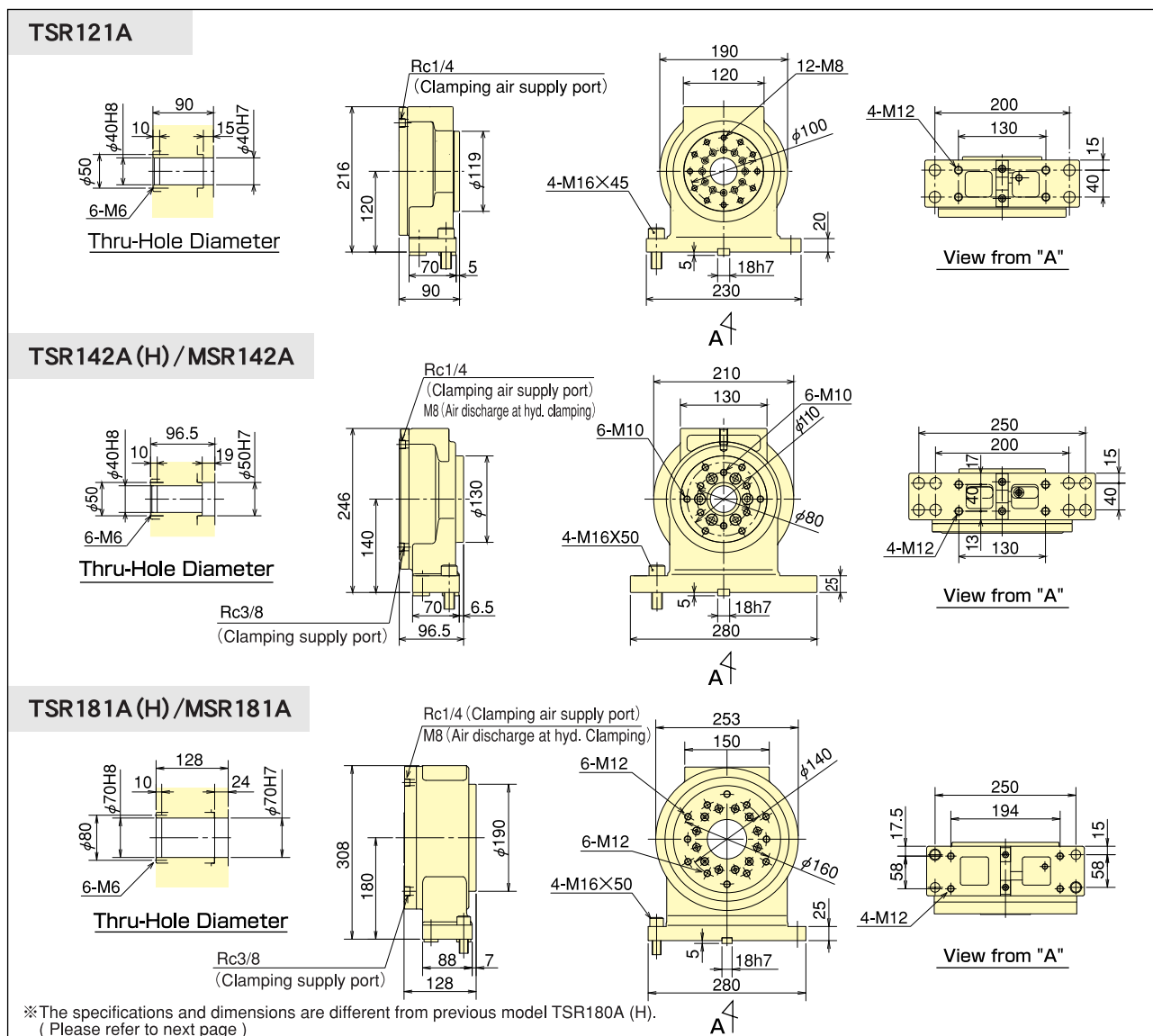
TSR142A

Specifications [clamping mechanism specification]

Model	Centre height (mm)	Spindle hole (mm)	Clamping torque (N·m)		Mass of product (Kg)
			Air pressure 0.5MPa	Hyd. pressure 3.5MPa	
TSR121A	120	φ40	310	—	18
TSR142A (H) / MSR142A	140	φ40	450	600	21
TSR181A (H) / MSR181A	180	φ70	600	1000	47

Note) Neither Pressure Switch, clamp and unclamp, not Solenoid Valve are attached.

Dimensions [clamping mechanism specification]



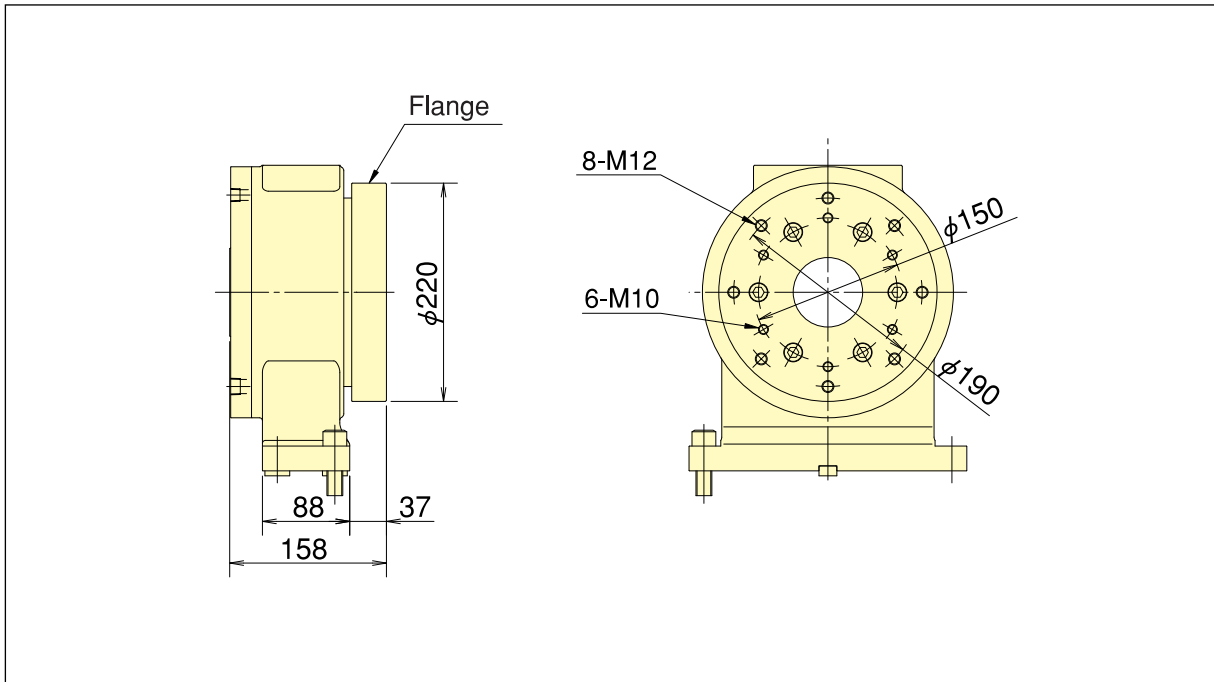


Fig. 1

Compatibility of the Face plate for TSR181A (H) and previous model TSR180A(H) is available by mounting optional flange parts (※Fig. 1)

Please note that the mounting dimensions for TSR181A (H) and previous model TSR180A (H) are different. (※Fig. 2)

For more information please ask sales parson in your area.

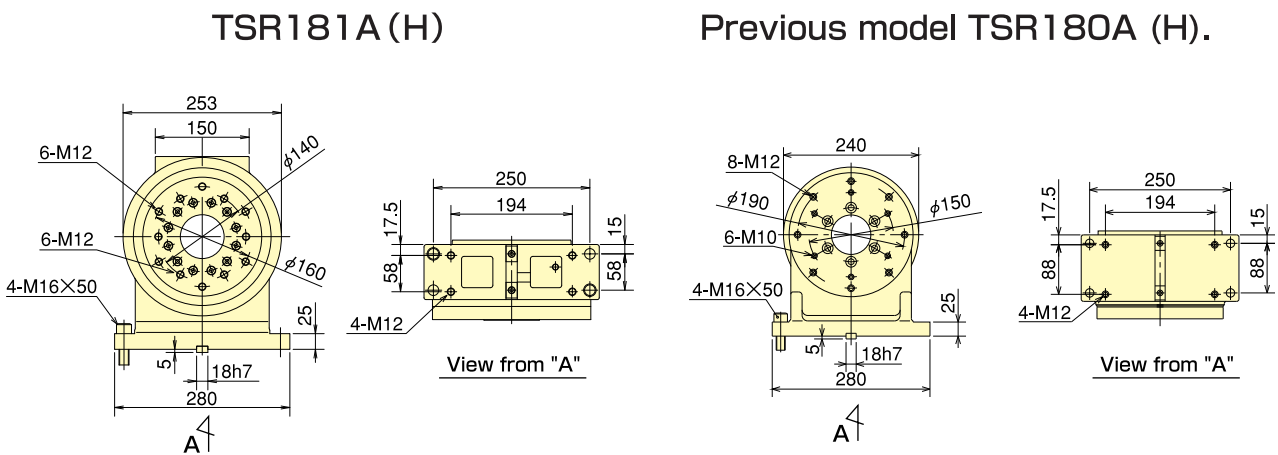


Fig. 2