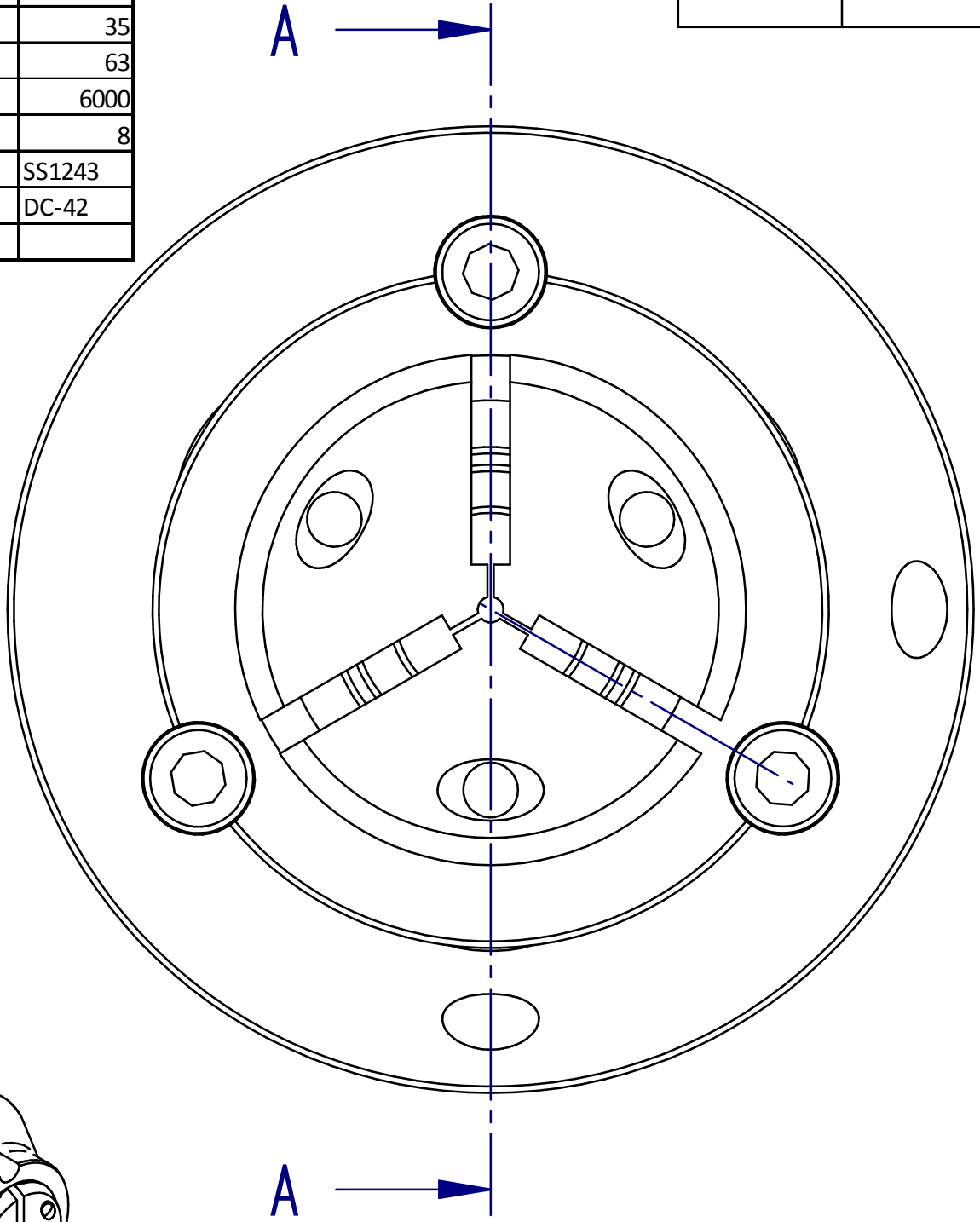
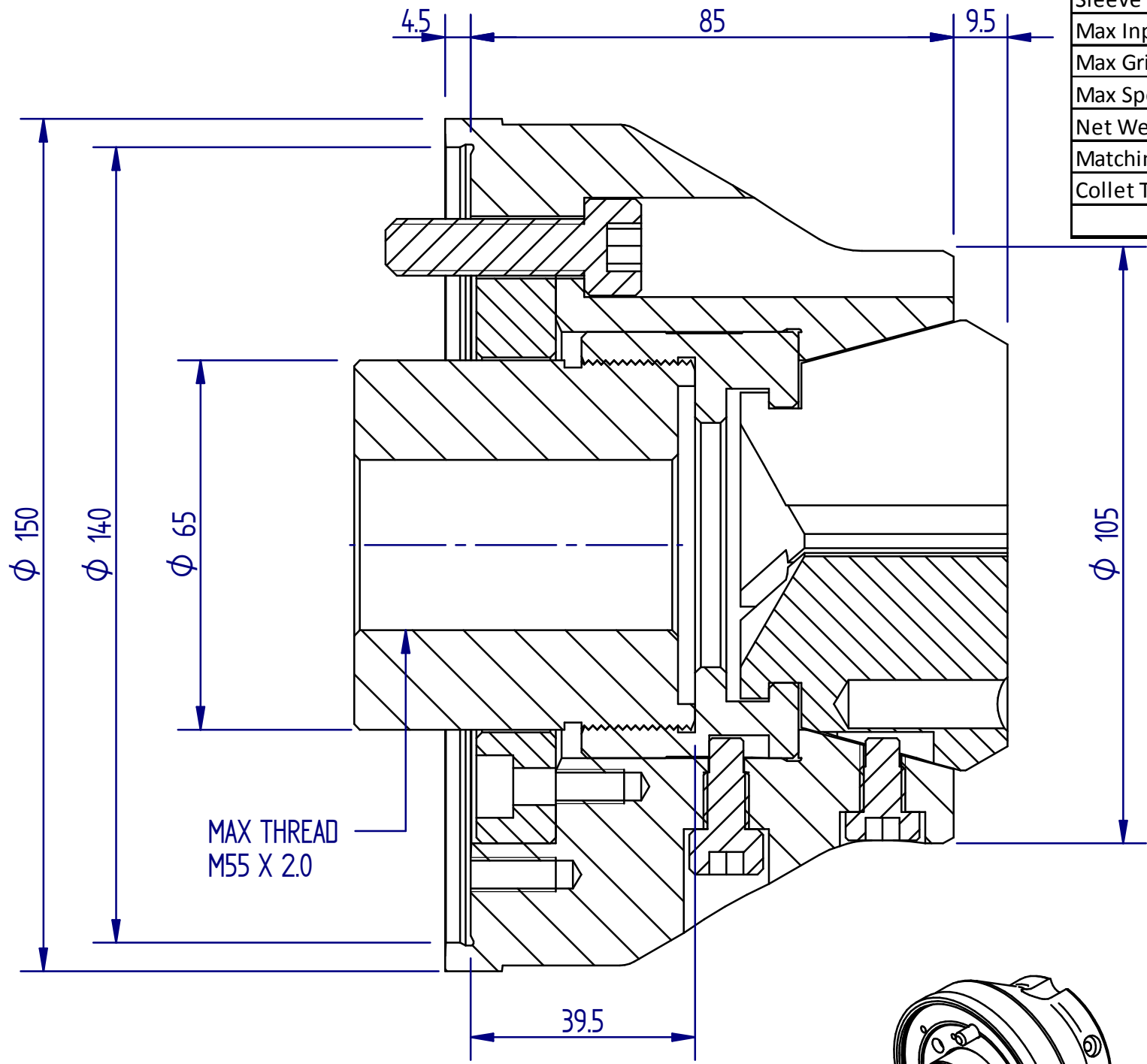
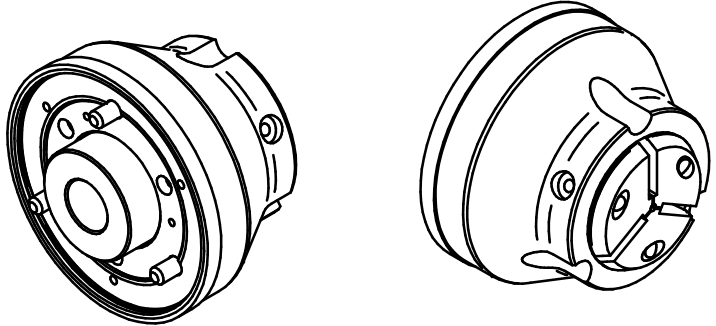


ISSUE	DATE

Gripping range	Max	42
	Min	4
Collet Increment	mm	1
Sleeve Stroke	mm	4.5
Max Input Force	kN	35
Max Gripping Force	kN	63
Max Speed	RPM	6000
Net Weight	KG	8
Matching Cylinder		SS1243
Collet Type		DC-42



SECTION A-A



DTC IS THE SAME AS Q-CRL42A5 CONNECTOR

kitagawa
EUROPE
UNIT 1, THE HEADLANDS
DOWNTON
SALISBURY
WILTSHIRE SP5 3JJ

TELEPHONE: 01725 514000
TELEFAX: 01725 514001

RANGE AS SPECIFIED		MACHINING TOLERANCES						
		NOMINAL DIMENSION						
		> 0.5 ... 3	> 3 ... 6	> 6 ... 30	> 30 ... 120	> 120 ... 400	> 400 ... 1000	> 1000 ... 2000
		ALL DIMENSION IN mm						
FINE	±0.05	±0.05	±0.1	±0.15	±0.2	±0.3	±0.5	
MEDIUM	±0.1	±0.1	±0.2	±0.3	±0.5	±0.8	±1.2	
COARSE	±0.2	±0.3	±0.5	±0.8	±1.2	±2	±3	
VERY COARSE	—	±0.5	±1	±1.5	±2	±3	±4	

DRAWN	Tim C
DATE	28 / 6 / '12
CHECK	
ISSUE	

TITLE	ASY LAYOUT - DHP42-140
DRAWING No.	