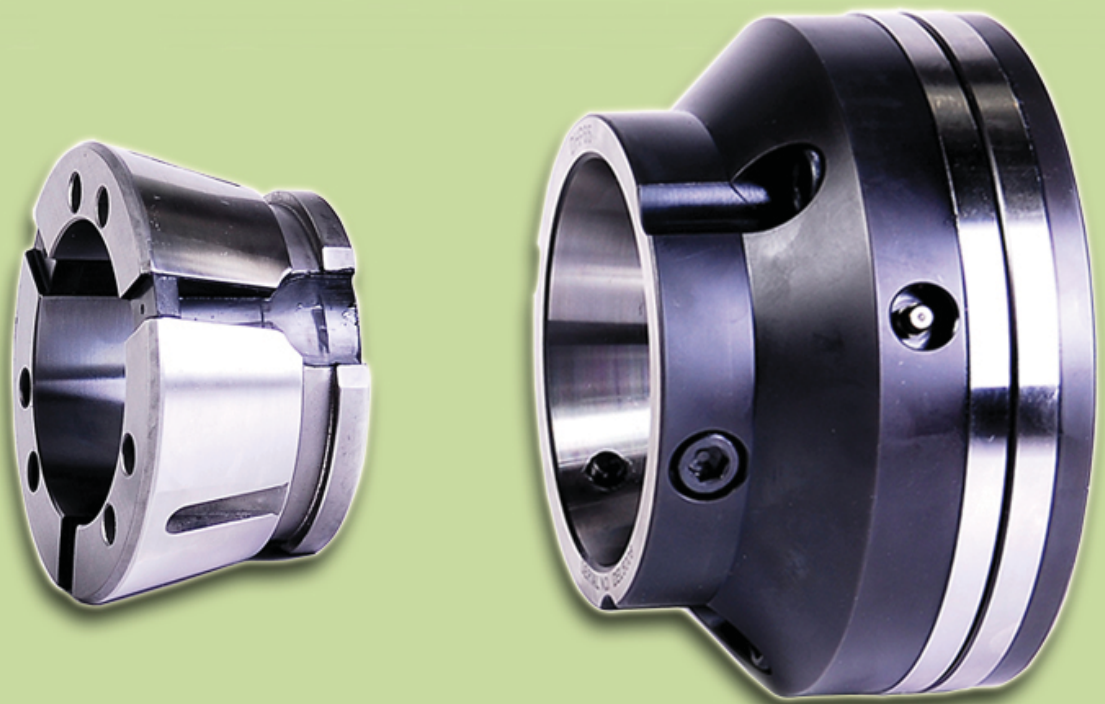


# DHP SERIES

## Pull Back Collet Chuck

DHP65-A5 ● DHP65-A6 ● DHP65-A8



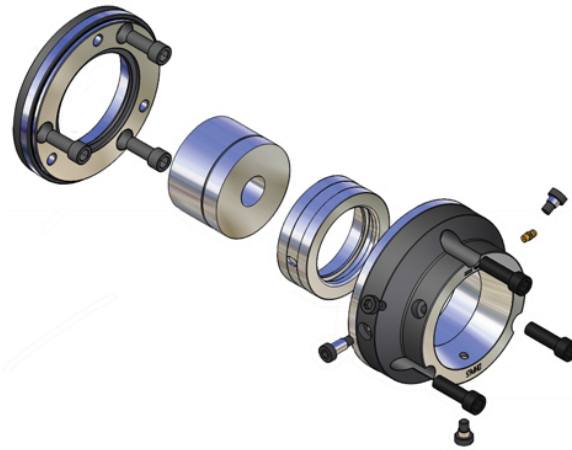
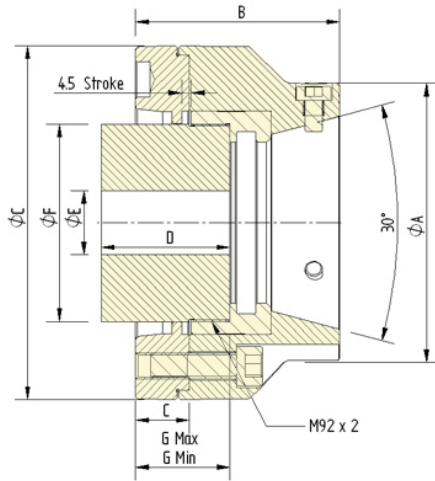
- Compact Design and Pull back action for secure and accurate clamping
- A2-5, A2-6 and A2-8 Mount versions available
- Compatible with popular 65mm quick change collet clamping heads
- Optional Collet Changing Device for quick and easy changeover





Pull Back Series Power Collet Chucks

- Pull back chuck for first operation.
- Compact design and high accuracy.
- Optional collet changing device.
- Compatible with 65mm quick change collet clamping heads.



| SPECIFICATIONS         |                   | DHP65-A5 | DHP65-A6 | DHP65-A8 |
|------------------------|-------------------|----------|----------|----------|
| Gripping Range - Round | Max mm            | 65       | 65       | 65       |
|                        | Min mm            | 4        | 4        | 4        |
| Collet Increment       | mm                | 0.5      | 0.5      | 0.5      |
| Sleeve Stroke          | mm                | 4.5      | 4.5      | 4.5      |
| Max Input Force        | kN                | 45       | 45       | 45       |
| Max Gripping Force     | kN                | 105      | 105      | 105      |
| Max Speed (r.p.m)      | min <sup>-1</sup> | 6000     | 6000     | 6000     |
| Net Weight             | kg                | 9        | 9        | 11       |
| Matching Cylinder      |                   | S1875    | S1875    | S1875    |
| Collet / Clamping Head |                   | DC-65    | DC-65    | DC-65    |

| DIMENSIONS | DHP65-A5 | DHP65-A6 | DHP65-A8 |
|------------|----------|----------|----------|
| Mount      | A2-5     | A2-6     | A2-8     |
| A          | 130      | 130      | 130      |
| B          | 95       | 95       | 115      |
| C          | 165      | 165      | 210      |
| D          | 60       | 60       | 60       |
| E Max      | M70x2    | M85x2    | M85x2    |
| F          | 79       | 92       | 92       |
| G Max      | 44       | 44       | 64       |
| G Min      | 39.5     | 39.5     | 59.5     |

# KITAGAWA

— EUROPE LTD —

UNIT 1 • THE HEADLANDS • DOWNTON • SALISBURY • WILTS • SP5 3JJ • UK

TELEPHONE +44 1725 514000 • FAX +44 1725 514001

E-MAIL: uk@kitagawaeurope.com • export@kitagawaeurope.com

www.kitagawaeurope.com