



**CHUCK**

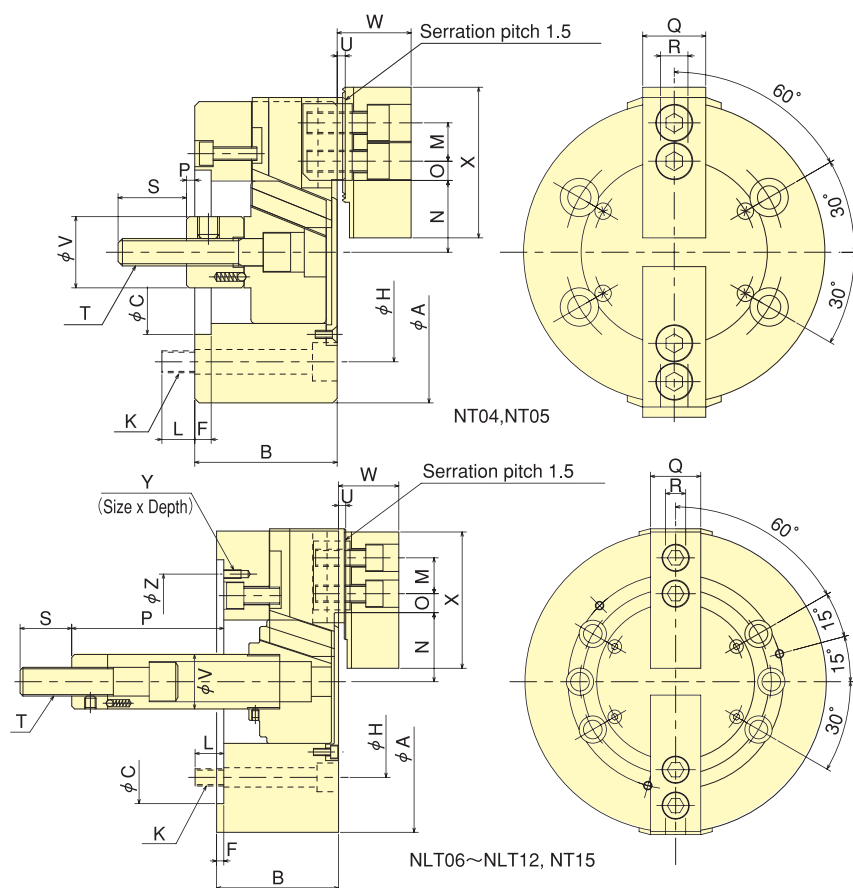
# 2-Jaw Closed Center Power Chuck (NLT-Long Stroke)

## NT·NLT series

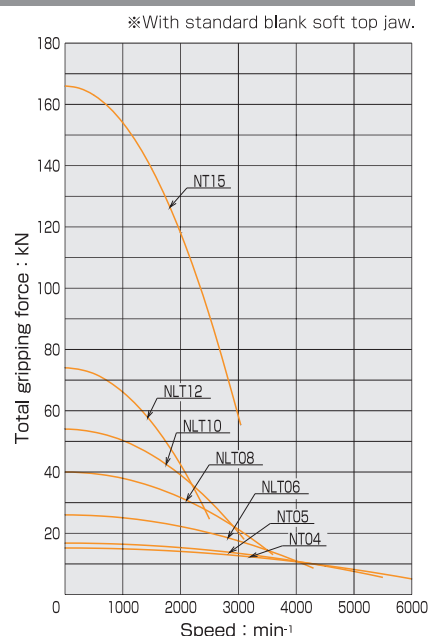
**Best suited for gripping Irregular shaped components**

\*CE correspondence

### Dimensional Drawings



### Gripping Characteristic Graphs



### Dimensions

Dimensions Model	A	B	C (H6)	F	H	K	L	M	N max.	N min.	O max.	O min.	P max.	P min.	Q	R	S	T	U	V	W	X	Y	Z
NT04	110	52	60	6	80	4-M8	12	14	23.3	20.1	10.25	8.75	18	3	23	10	25	M10	3	26	27	55	-	-
NT05	135	55	80	7	100	4-M8	14	19	30.4	27.2	11.5	7	9	-6	23	10	35	M12	3	28	29	62	-	-
NLT06	165	74	140	5	104.8	6-M10	14	20	40.5	34	13.75	9.25	101.5	81.5	31	12	36	M16	4	34	35	72	M6×10	116
NLT08	210	85	170	5	133.4	6-M12	20	25	48.1	40	21	12	131	106	35	14	36	M20	5	38	42	95	M6×12	150
NLT10	254	89	220	5	171.4	6-M16	18	30	54.4	45.35	29.5	11.5	161	133	40	16	36	M20	5	45	46	110	M8×15	190
NLT12	304	106	220	6	171.4	6-M16	18	30	65.7	56	42.75	12.75	163	133	50	18	36	M20	5	50	54	129	M8×15	190
NT15	381	114	300	6	235	6-M20	30	43	77.5	69.5	48.75	23.25	104	69	50	25.5	55	M30	2	55	61	135	M10×20	260

### Specifications

※Max. speed is shown using actual test data.

Specifications Model	Gripping range mm		Jaw Stroke (diameter) mm	Plunger Stroke mm	Max. Draw Bar Pull Force kN (kgf)	Max. Gripping Force kN (kgf)	Max. Speed min <sup>-1</sup>	Net Weight with Soft top jaws kg	Moment of inertia kg·m <sup>2</sup>	Matching Cylinder	Max. pressure MPa (kgf/cm <sup>2</sup> )	Matching Soft top jaw
NT04	110	5	6.4	15	5.3 (540)	15.2 (1550)	6000	3.8	0.007	Y0715R	1.68 (17.1)	SB04A1T
NT05	135	16	6.4	15	5.3 (540)	16.8 (1713)	5500	5.8	0.013	Y0715R	1.68 (17.1)	SB05A1T
NLT06	165	22	13	20	14.0(1428)	26.0 (2651)	4300	12.5	0.043	Y1020R	2.06 (21.0)	SB06A1T
NLT08	210	24	16.2	25	20.0(2039)	40.0 (4079)	3600	24.0	0.133	Y1225R	2.03 (20.7)	SB08A1T
NLT10	254	27	18.1	28	27.0(2753)	54.0 (5506)	3100	35.5	0.293	Y1530R	1.93 (19.7)	SB10A1T
NLT12	304	33	19.4	30	36.0(3671)	74.0 (7546)	2500	60.5	0.708	Y1530R	2.50 (25.5)	SB12A1T
NT15	381	72	16	35	54.7(5578)	166.0(16927)	3040	93.0	1.790	Y2035R	2.10 (21.4)	SB15N1T

※Altering Back Plate enables to change over 3-Jaw Chuck into 2-Jaw Chuck.