

NC ROTARY TABLE

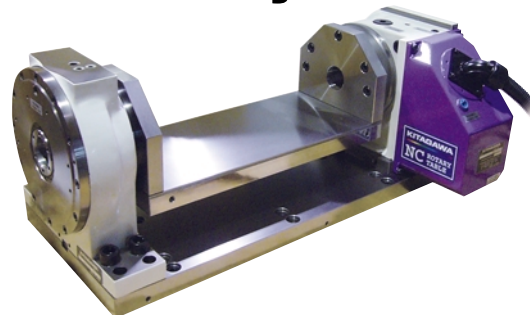
Trunnion assembly

TJ series

TJ16M38E·TJ16M38C

Quick delivery; NC Rotary Table, Tail Spindle and Trunnion Assembly

- Allows greater flexibility to meet specific customer requirements
Simultaneous machining of multiple work pieces
- Multifaceted machining possible: Excellent rigidity

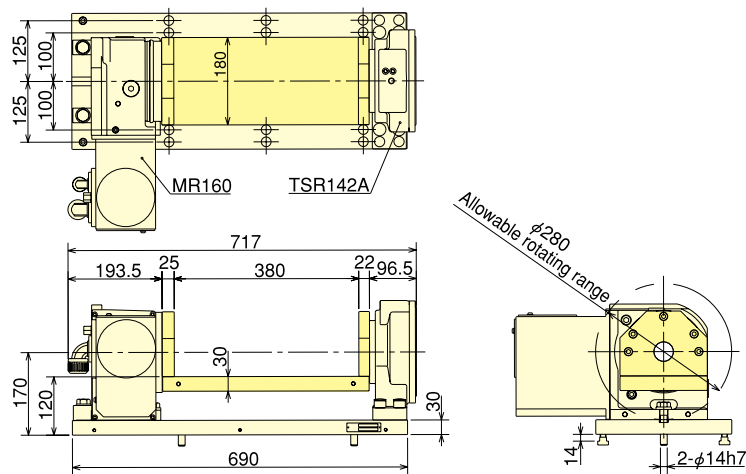


■ specifications

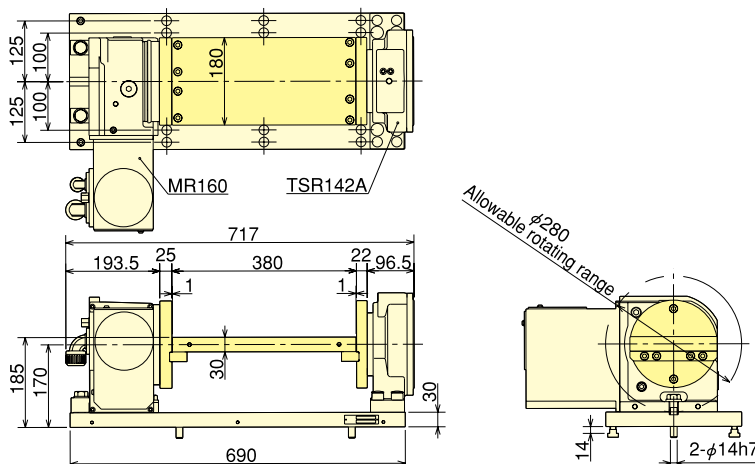
Item	Model	TJ16M38E	TJ16M38C
1 Plate length (mm)		380	380
2 Plate width (mm)		180	180
3 Plate height above the datum plane (mm)		120	185
4 Allowable rotating radius (mm)		φ280	φ280
5 Allowable load (kg)		80	40 on one side (80 in total)
6 Mass of product (kg)		133	135

■ Dimensions

TJ16M38E / Offset Type

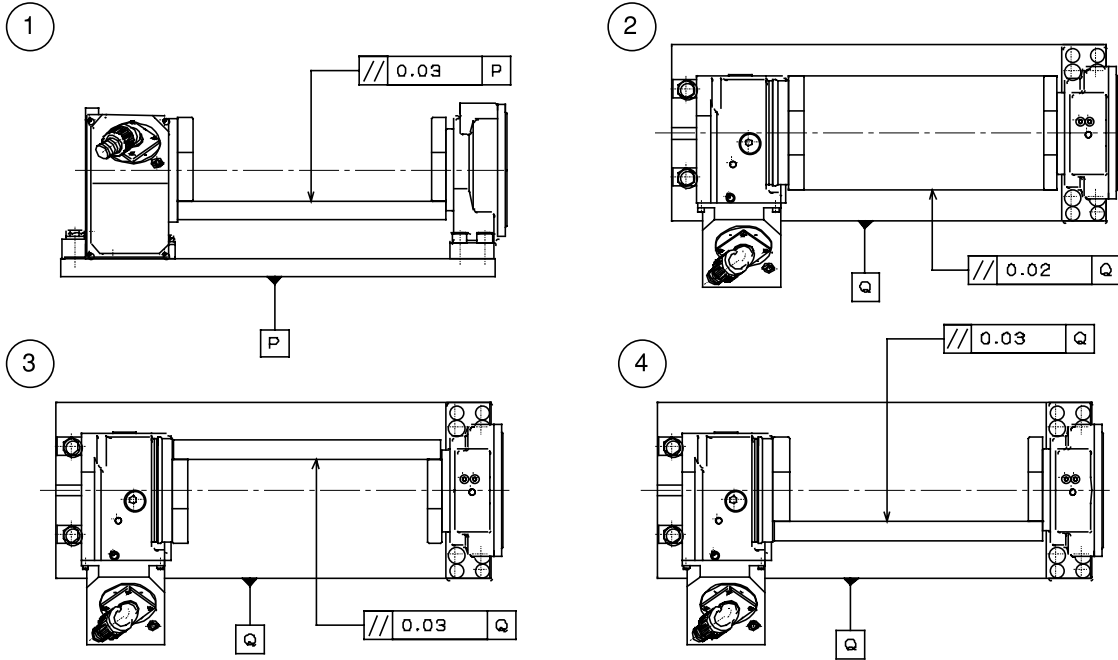


TJ16M38C / Center Type

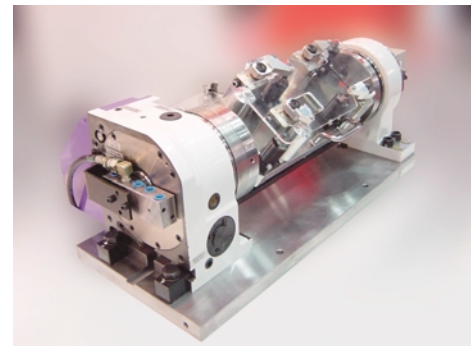


■ DATA accuracy specification

	Inspection Item	Allowance
1	Plate upper face parallelism to the mounting datum plane P	0.03 mm
2	Plate upper face parallelism to the mounting datum plane Q	0.02 mm
3	Plate upper face parallelism to the plate datum plane Q (at 90° rotation)	0.03 mm
4	Plate upper face parallelism to the plate datum plane Q (at 270° rotation)	0.03 mm



Sample Application

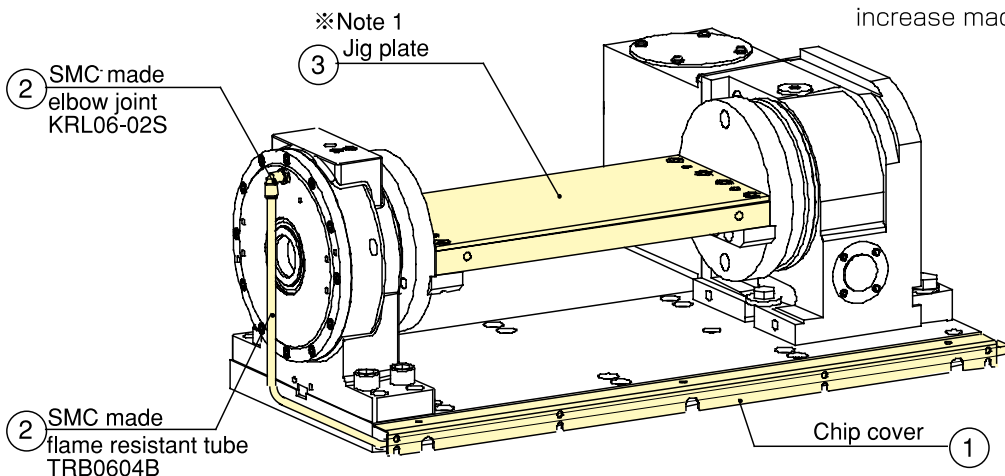


▲Trunnion Assembly can be made to customers specific requirements to increase machining flexibility.

■ TJ Options

Following optional parts are available.

- ① Chip cover
- ② Flame resistant tube (with elbow joint)
- ③ Jig plate



Note) 1.Accuracy adjustment must be done by the user after fitting any additional jig plate.
2.Consult for any special parts or additional processing beside options.