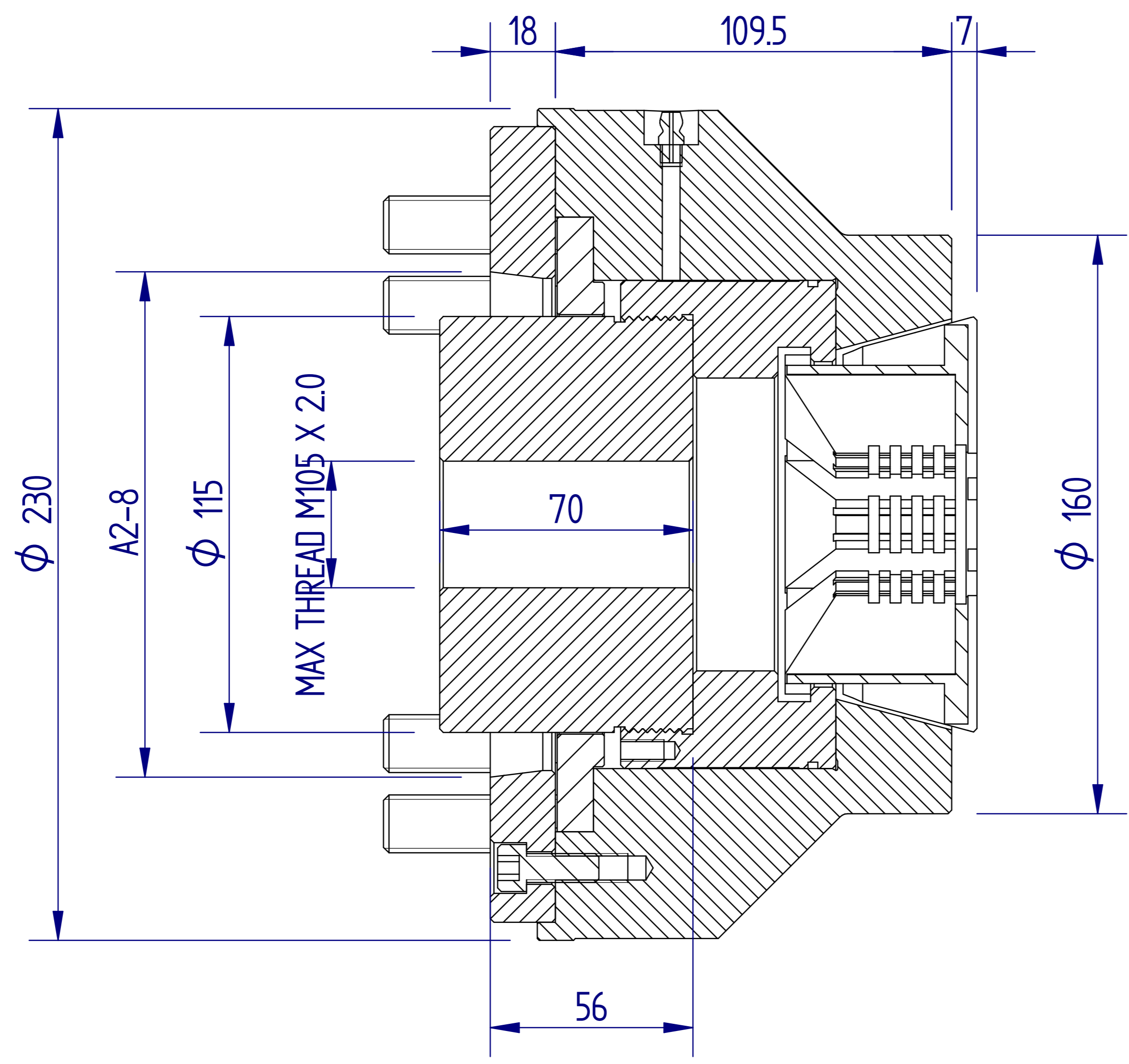


ISSUE	DATE



Gripping range	Max	80
	Min	10
Collet Increment	mm	1
Sleeve Stroke	mm	4.5
Max Input Force	kN	50
Max Gripping Force	kN	115
Max Speed	RPM	5500
Net Weight	KG	29
Matching Cylinder		S2091
Collet Type		DC-80

HEAT TREATMENT
MATERIAL
TITLE
<b>DHP80-A8</b>
DRAWING NO.
DHP80-A8

RANGE AS SPECIFIED	MACHINING TOLERANCES						
	NOMINAL DIMENSION						
	> 0.5 ... 3	> 3 ... 6	> 6 ... 30	> 30 ... 120	> 120 ... 400	> 400 ... 1000	> 1000 ... 2000
	ALL DIMENSION IN mm						
FINE	±0.05	±0.05	±0.1	±0.15	±0.2	±0.3	±0.5
MEDIUM	±0.1	±0.1	±0.2	±0.3	±0.5	±0.8	±1.2
COARSE	±0.2	±0.3	±0.5	±0.8	±1.2	±2	±3
VERY COARSE	—	±0.5	±1	±1.5	±2	±3	±4

DRAWN	
DATE	
SCALE	
CHECK	



UNIT 1, THE HEADLANDS  
DOWNTON  
SALISBURY  
WILTSHIRE SP5 3JJ  
TELEPHONE: 01725 514000  
FAX: 01725 514001

THIS DOCUMENT IS PROPRIETARY INFORMATION.  
DO NOT COPY REPRODUCE OR DISTRIBUTE WITHOUT AUTHORISATION FROM KITAGAWA EUROPE LTD.