



**ROTARY CYLINDER**

# Large Thru-Hole High Speed Hydraulic Cylinder with Open Centre

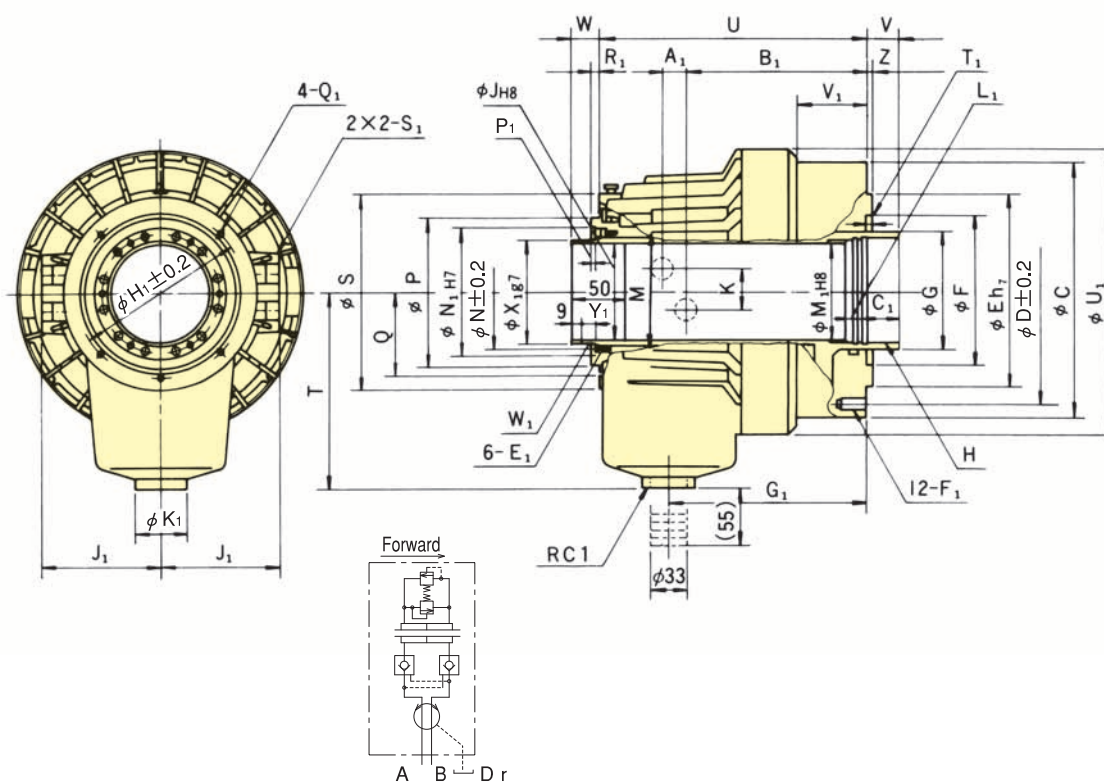
## S-L series

### KITAGAWA standard thru-hole type

- Long piston stroke
- Built-in check valve and relief valve
- \* CE correspondence (Only series with checking device)



### Dimensional Drawings



### Dimensions

Dimensions Model	C	D	E	F	G	H	J Thru-hole	K	M	N	P	Q	S	T	U	V max.	V min.	W max.	W min.	Z	A <sub>1</sub>
S1246L	155	130	100	80	65	M55×2.0	46	36	52.9	64	85	51.5	118	115	200	27	-5	57	25	5	11.5
S1552L	190	170	130	85	70	M60×2.0	52	36	59.6	73	96	57.5	137	130	208	29	-5	59	25	5	12
S1875L	215	190	160	120	95	M85×2.0	75	36	84.6	98	121	70.5	166	160	241	35	-5	65	25	5	17.5
S2091L	240	215	180	140	110	M100×2.0	91	34	99.6	108	138	79	182	185	268	45	-5	75	25	5	21

Dimensions Model	B <sub>1</sub>	C <sub>1</sub>	Eidepth	Fidepth	G <sub>1</sub>	H <sub>1</sub>	J <sub>1</sub>	K <sub>1</sub>	L <sub>1</sub>	M <sub>1</sub>	N <sub>1</sub>	P <sub>1</sub>	Qidepth	R <sub>1</sub>	S <sub>1</sub>	T <sub>1</sub>	U <sub>1</sub>	V <sub>1</sub>	W <sub>1</sub>	X <sub>1</sub>	Y <sub>1</sub>
S1246L	147.5	30	M6×9	M10×20	156	98	76	47	15	50	76	4	M5×10	6	RC1/2	12	200	67	M52×1.5	50	33
S1552L	153	30	M6×9	M10×20	162	110	86	47	15	55	85	4	M6×12	7	RC1/2	12	220	68	M58×1.5	56	33
S1875L	169.5	35	M6×9	M10×20	182.5	155	101	47	15	80	108	4	M6×12	7	RC1/2	12	242	74	M84×2.0	81	33
S2091L	188	35	M6×14	M12×24	203	165	110	47	15	95	120	4	M6×12	7	RC1/2	12	267	86	M99×2.0	96	38

### Specifications \*Total leakage : Pressure 3.00MPa (30.6kgf/cm<sup>2</sup>) and oil temperature 50°C. \*Draw bar pull force : Pressure 4.00MPa (40.8kgf/cm<sup>2</sup>)

Specifications Model	Piston Dia. mm	Piston stroke mm	Piston Area		Draw bar		Max. Operation Pressure MPa (kgf/cm <sup>2</sup> )	Max. Speed min <sup>-1</sup>	Moment of inertia kg·m <sup>2</sup>	Net Weight kg	Total leakage ℓ/min
			Push Side cm <sup>2</sup>	Pull Side cm <sup>2</sup>	Push Side kN(kgf)	Pull Side kN(kgf)					
S1246L	125	32	100	89	38.0 (3875)	33.0 (3365)	4.00 (40.8)	7000	0.022	12.8	3.0
S1552L	155	34	161	150	60.0 (6118)	56.0 (5710)	4.00 (40.8)	6200	0.058	17.0	3.9
S1875L	180	40	198	183	74.0 (7546)	69.0 (7036)	4.00 (40.8)	4700	0.100	26.8	4.2
S2091L	205	50	252	234	94.0 (9585)	88.0 (8973)	4.00 (40.8)	3800	0.160	34.1	4.5