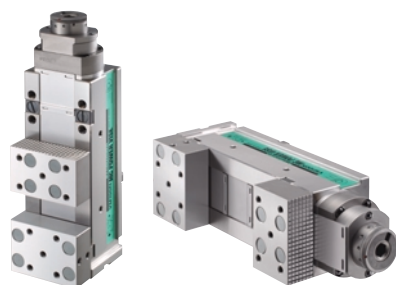


WISE

MC Power Vise Multi-type VM-N series

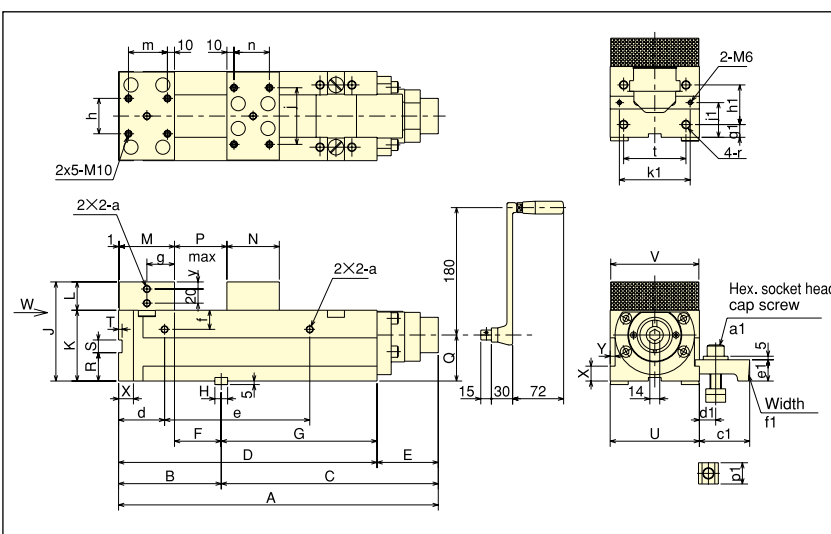
The new system enables vertical and horizontal mounting, and clamping of the inside of work!
Versatile Vises with the Green Body

- Vertical and horizontal mounting, and inside clamping enabled
Can be mounted in various directions according to the work type.
- Cast iron body with a high vibration damping property
- Firm clamping of work ensured by a high clamping force
- Stable clamping force ensured by the mechanical-type enhancement toggle mechanism
- Lift-up reduced to the minimum, offering stable machining accuracy
- Standard parallel specification
Suitable for long-size work and simultaneous machining of multiple workpieces
The VQX-N type can be used on a parallel.



[Vertical Mounting] [Side Mounting]

Dimensions



Clamping Force Table (Unit : kN)

Range	3	2	1	0
VM100N	30	21	12	8
VM125N	40	28	16	8

*Zero range means clamp without a step-up mechanism.
Clamp force shows an allowable amount.

Specifications

(Unit : mm)

Model	Jaw width	Jaw height	Jaw stroke	Total height	Work mounting face height	Full width	Full length	Max. clamping force (kN)	Mass (kg)
VM100N	99.5	35	137	120	85	101	351.5	30	19
VM125N	124.5	40	214	140	100	126	451.5	40	34

Size Table

Model	A	B	C	D	E	F	G	H	J	K	L	M	N	P	Q	R	S	T	U	V	X	Y
VM100N	351.5	112.5	239	273	78.5	38.5	160.5	14	120	85	35	73	64	137	53	35	14	4	101	99.5	15	5.5
VM125N	451.5	145	306.5	365	86.5	66	220	18	139.5	100	39.5	78	74	214	65	40	18	5	126	124.5	21	7

Model	a	d	e	f	g	h	j	m	n	r	t	y	a1	c1	d1	e1	f1	g1	h1	J1	k1
VM100N	M8	90	105	25	36.5	40	70	55	40	M10	76	7	M12×45	60	14~26	22.5	35	15	55	42	81
VM125N	M10	75	195	27	39	50	80	50	50	M12	88	10	M16×65	72	15~31	30	45	18	56	49	100

- Body Material : Cast iron ■ Jaw Material : Hardened steel
- Standard Accessories : Clamp device assembly (clamp device, T-nut(s), washer(s)), handle, L-shaped hexagonal wrench, C-caps, slide cover
- Options : Parallel clamp device, stepped guide block, ratchet handle, extension bar, soft jaws (a set of a moving-side and a fixed-side jaws)

*The guide block groove can be changed so that it is suitable for the machine where the vise is mounted. In this case, please contact us.

VM-N