

NC ROTARY TABLE

Quick Indexing NC Rotary Table

RK200L · RK200LA

(Servo-on-holding) (Clamping mechanism is available)

Roller gear & cam mechanism
Non Clamping mechanism
90° Indexing time: 0.31 sec. (Servo-on-holding)

- Quick Indexing
- Non Backlash
- Maintenance

* CE correspondence



RK200L

■ Specifications

Model		RK200L	RK200LA
Right hand		×	×
Left hand		○	○
Table dia (mm)		φ114	φ114
Register diameter on Face Plate (mm)		φ80	φ80
Spindle through hole diameter (mm)		φ70	φ70
Centre Height (mm)		150	150
Clamping method		Servo clamp	Pneumatic
Clamping torque (N·m)		—	340
Max. instantaneous holding torque (N·m)		Note1) 240	Note2) 240
Max. continuous holding torque (N·m)		Note1) 108	Note2) 108
Motor axis reduced inertia (kg·m ²)		0.000425	0.000433
Servomotor (for FANUC specification)		αis8/4000	αis8/4000
Gear ratio	4th axis	1/20	1/20
	M signal	1/20	1/20
Max. spindle speed	FANUC	100	100
	M signal	100	100
Max. spindle speed (kg·m ²)		0.6	0.6
Indexing accuracy (sec)		20	20
Repeatability (sec)		4	4
Mass of product (kg)		65	68
Rotary joint		RJ70H20Z**axis/Pneumatic 8-port	RJ70H20Z**axis/Pneumatic 8-port
Allowable Load	Horizontal (kg)	—	120
	Vertical (kg)	60	60
Allowable load	F (kN)	8	8
	FXL (N·m)	677	677
	FXL (N·m)	Note1) 108 (Servo-on-holding)	340 (Clamping mechanism)
Allowable cutting torque	T (N·m)	622	622

Note 1) The holding torque limits and allowable load (N·m) above are with Kitagawa's control device Quinte. The limits vary per motor used.

Note 2) To shorten the cycle time using RK200LA, not using the clamping mechanism is recommended. For this case, clamping torque changes to the number at the continuous holding torque.

Note 3) There is no mechanical brake for RK200L. Please hold the position by the motor torque when the rotating axis is stopping.

Note 4) RK200L cannot hold the position when the power is turned off or the servo alarm is occurred. There is a possibility that the rotating axis revolve when the power is turned on or restart.

4th axis specifications

M signal specification

RK 200 L - * * *

Type Table Size Design No.

Motor type

A : with clamping mechanism
- : No clamping mechanism

Left hand

RK 200 L - V * *

Type Table Size Design No.

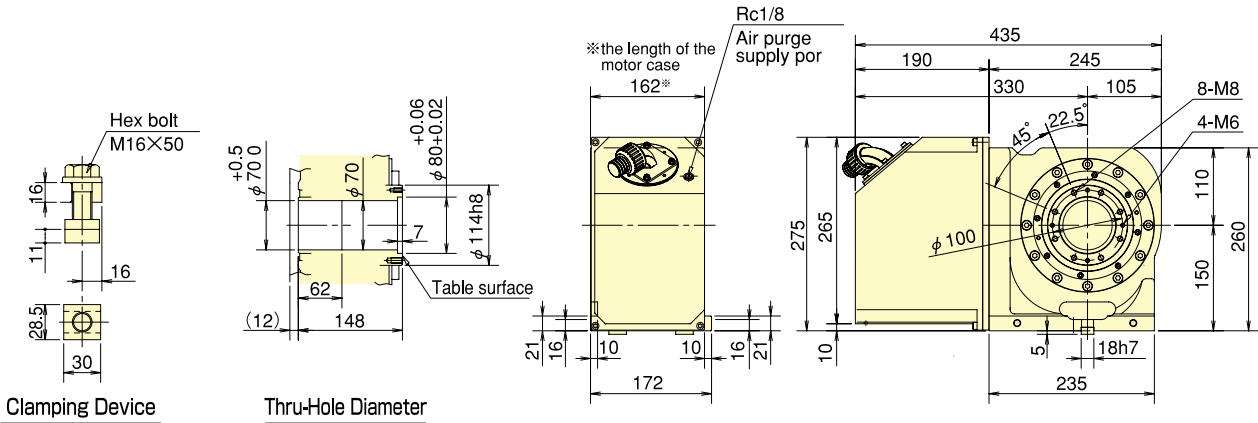
Quinte specification

A : with clamping mechanism
- : No clamping mechanism

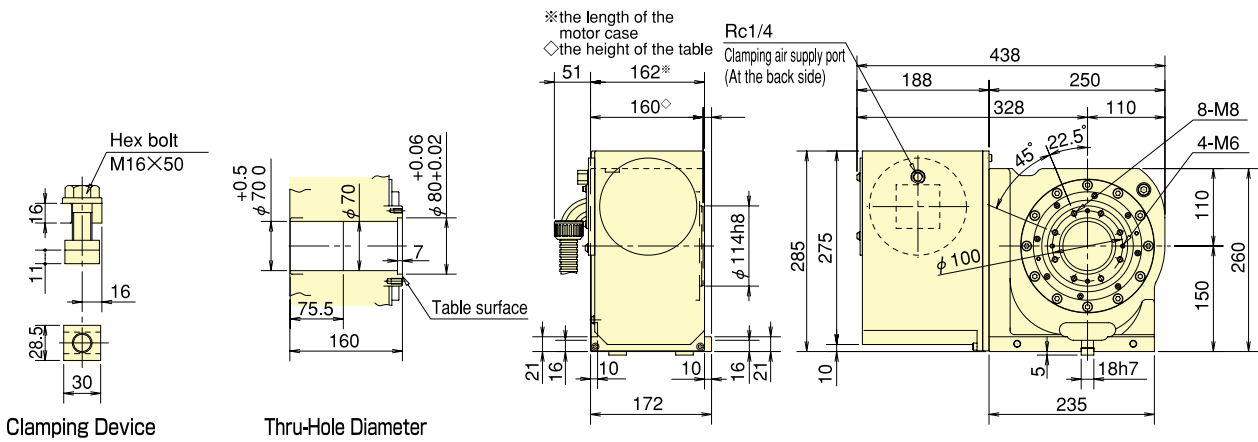
Left hand

■ Dimensions

RK200L [Kitagawa's control device Quinte specification]



RK200LA [Kitagawa's control device Quinte specification]



RK