



CHUCK

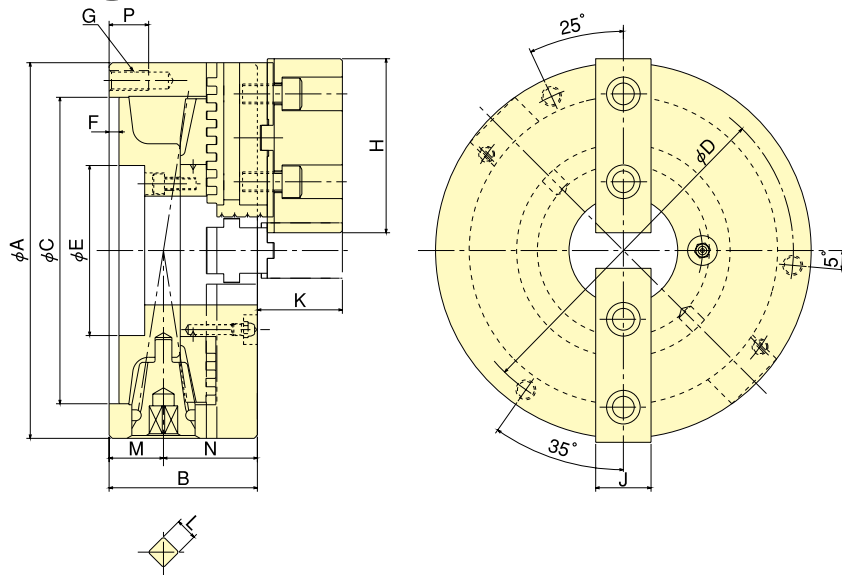
2-Jaw Scroll Chuck JT series

This two jaw chuck provides the optimum solution for gripping valves, pipe joints and other irregularly shaped components



- Straight recess
Mounting dimensions are the same as the JN type.

Dimensional Drawings



Dimensions

Type	Size	A	B	C Size	C Tolerance	D Size	D Tolerance	E	F	G	H	J	K	L Size	L Tolerance	M	N	P
JT07		190	75	155	$+0.025$ 0	172	± 0.2	55	5	3-M10	88	28	43	11	$+0.15$ $+0.05$	27.5	47.5	20
JT09		232	84	190	$+0.029$ 0	210	± 0.2	70	6	3-M12	100	32	50	12	$+0.15$ $+0.05$	29.5	54.5	23

Specifications

Type	Spec.	Thru-Hole mm	Max. static gripping force kN(kgf)	Max. speed min ⁻¹ (r.p.m)	Weight (with standard jaws) kg	Moment of inertia kg·m ²	Gripping range		Matching soft jaw	Handle torque N·m(kgf·m)
							Outer dia.φmm	Inner dia.φmm		
JT07		55	20.7(2110)	3500	12.6	0.065	4~180	62~170	For JT07	73.5 (7.5)
JT09		70	24.7(2518)	2900	21.4	0.160	5~220	70~210	For JT09	98.0 (10.0)

Scroll chuck